

Techflow TV - Series Vacuum Jacketed Cryogenic Valves

Manufactured by Technifab to Provide Minimal Cryogen Losses

Benefits

- Twenty times less cryogen loss versus non-vacuum jacketed cryogenic valves equates to lower operation costs.
- Bubble tight closure means tighter seal at cryogenic temperatures preventing possible equipment problems.
- Vacuum jacketed insures safe to touch usage.
- Low torque for easy on/off operation.
- Quick and easy seal replacement reduces downtime.

Features

- Self-aligning, PCTFE seat designed for flexibility and solid closure at cryogenic temperatures.
- Port on bonnet for relief valve, purge valve, or pressure gauge installation.
- Pneumatic or electric actuators available for automated operation.
- ASME B16.34 code compliant available.
- One year warranty if sold separately.

Applications

- Bulk Tank Shut-offs.
- System Branches for Pipe and Equipment Isolation.
- Point-of-Use Valves.
- System Expansion / Re-Routing Connections.
- Cold Boxes.

*Linear flow plug option available
for Model 840*



TV Pipe Series Valve Specifications

All Valves:

Temperature Range

- -450° to 100°F (5 – 311K)

Operating Pressure:

- Bubble Tight tested to 150 psig (10.3 Bar)

Valve Class (ASME 16.34):

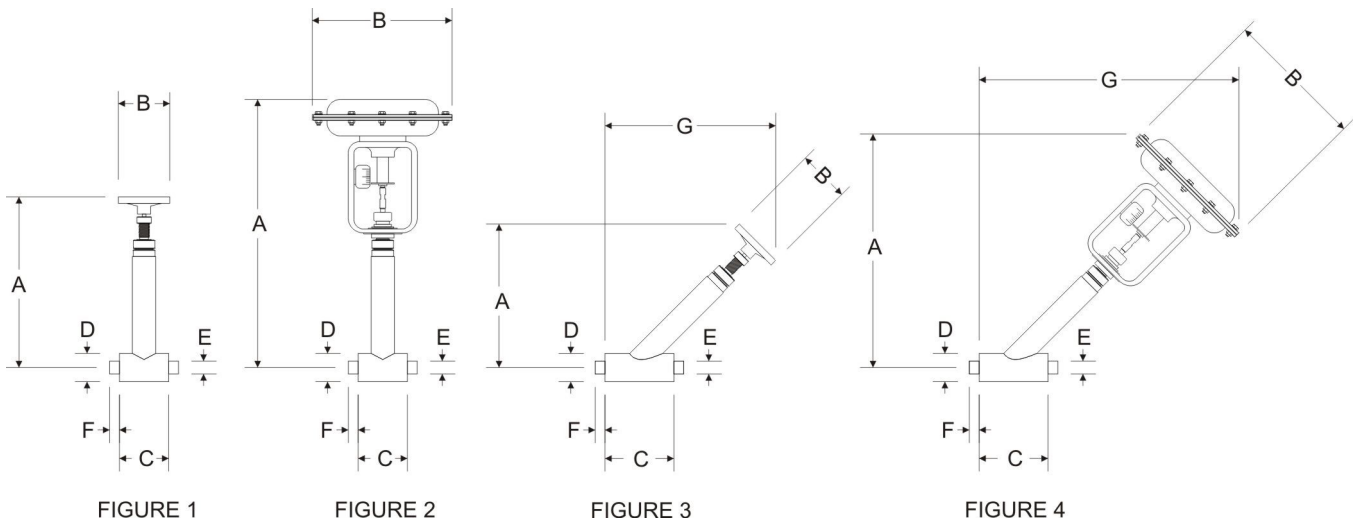
- Standard Class 300
- Manual Working Pressure 720 psig (49.6 Bar)

Model	840	1315	2375	4500
Inner Pipe Size	1/2" NPS	1" NPS	2" NPS	4" NPS
Pipe Inner Diameter	.710 in (18.0 mm)	1.185 in (30.1 mm)	2.209 in (57.0 mm)	4.125 in (104.8 mm)
C _v (K _v) - Globe	2.4 (4.02)	14 (14.8)	20 (17.2)	191 (165.2)
C _v (K _v) - "Y" pattern	3.0 (4.28)	15.6 (5.17)	N/A	N/A
Heat Leak in BTU/Hr (Watts)	4.8 (1.0) ¹	7 (1.86) ¹	7.9 (1.89) ¹	21 (4.5) ¹

¹At 400°F (220°C) ΔT using Liquid Nitrogen.

Additional dimensions on the back of this sheet.

0840/1315/2375/4500 Series Valve Installation Dimensions



All Dimensions in Inches (mm)

Model		A	B	C	D	E	F	G
TV-GM-0840	Figure 1	14.1 (358) ¹	2.6 (66)	3.0 (76)	2.375 (60.3)	.840 (21.3)	0.5 (13)	N/A
TV-GP-0840	Figure 2	19.6 (498)	9 (229)	3.0 (76)	2.375 (60.3)	.840 (21.3)	0.5 (13)	N/A
TV-YM-0840	Figure 3	11.2 (284) ¹	2.6 (66)	4.0 (102)	2.375 (60.3)	.840 (21.3)	0.5 (13)	12.4 (315) ¹
TV-YP-0840	Figure 4	16.6 (422)	9 (230)	4.0 (102)	2.375 (60.3)	.840 (21.3)	0.5 (13)	17.8 (452)
TV-GM-1315	Figure 1	18.7 (476) ¹	6 (150)	5.0 (127)	2.875 (73)	1.315 (33.4)	1.0 (25)	N/A
TV-GP-1315	Figure 2	24.6 (625)	11 (279)	5.0 (127)	2.875 (73)	1.315 (33.4)	1.0 (25)	N/A
TV-YM-1315	Figure 3	15.8 (402) ¹	6 (152)	7.0 (178)	2.875 (73)	1.315 (33.4)	1.0 (25)	19.6 (498) ¹
TV-YP-1315	Figure 4	20.2 (513)	11 (279)	7.0 (178)	2.875 (73)	1.315 (33.4)	1.0 (25)	24.0 (610)
TV-GM-2375	Figure 1	23.8 (605) ¹	6 (152)	7.0 (178)	4.50 (115)	2.375 (60.3)	1.5 (38)	N/A
TV-GP-2375	Figure 2	31.3 (795)	13.1 (333)	7.0 (178)	4.50 (115)	2.375 (60.3)	1.5 (38)	N/A
TV-GM-4500	Figure 1	36.2 (920)	10 (254)	14.0 (356)	6.625 (169)	4.5 (114)	1.5 (38)	N/A
TV-GP-4500	Figure 2	59.3 (1506)	16 (406)	14.0 (356)	6.625 (169)	4.5 (114)	1.5 (38)	N/A

¹ Fully Open

VALVE NOMENCLATURE

T V **0840** **Y** **M** **P** **1** - -

0840 = 1/2"
1315 = 1"
2375 = 2"
4500 = 4"

G = Globe
Y = Pattern
(1/2" - 1" only)

M = Manual
O = Actuated
Normally Open
P = Actuated
Normally closed

P = Pipe end
T = Female NPT

1 = ASME
2 = Non jacketed
3 = Cold Box Cuff
5 = LOX Cleaning
6 = SRV
7 = 120VAC Kit*
8 = 240VAC Kit*
9 = 24VDC Kit*

**Kit includes solenoid, coil connector, regulator and pressure gauge.*