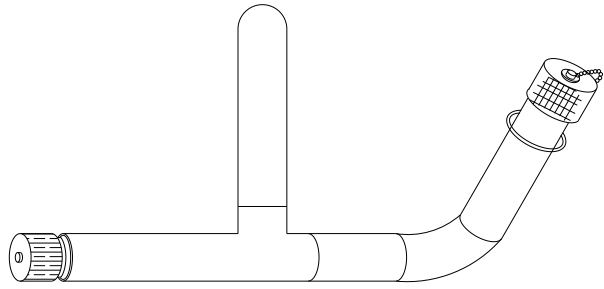
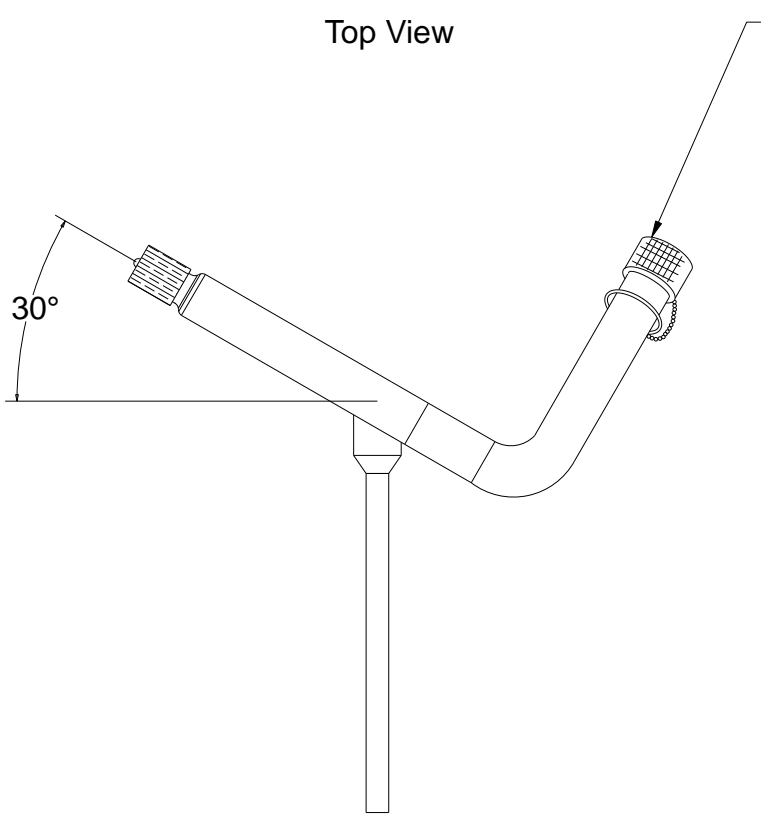


Dewar Withdrawal Lance

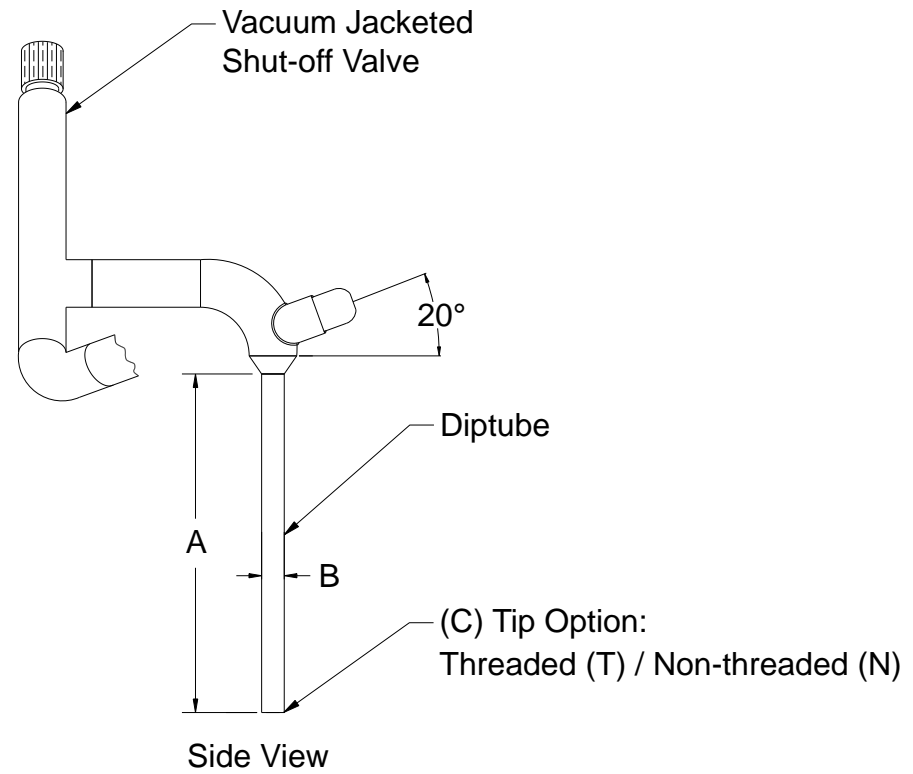


Top View

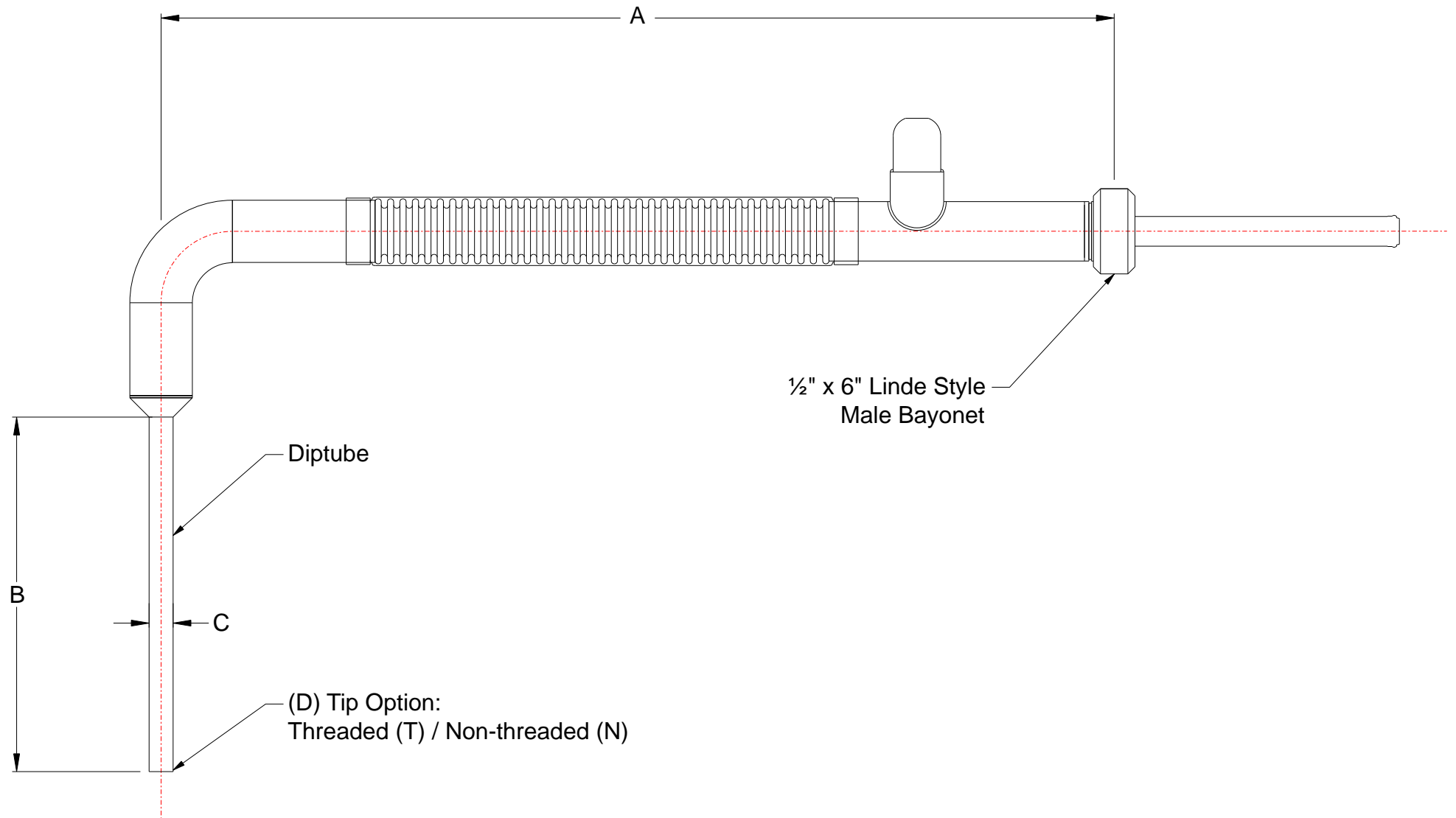


Front View

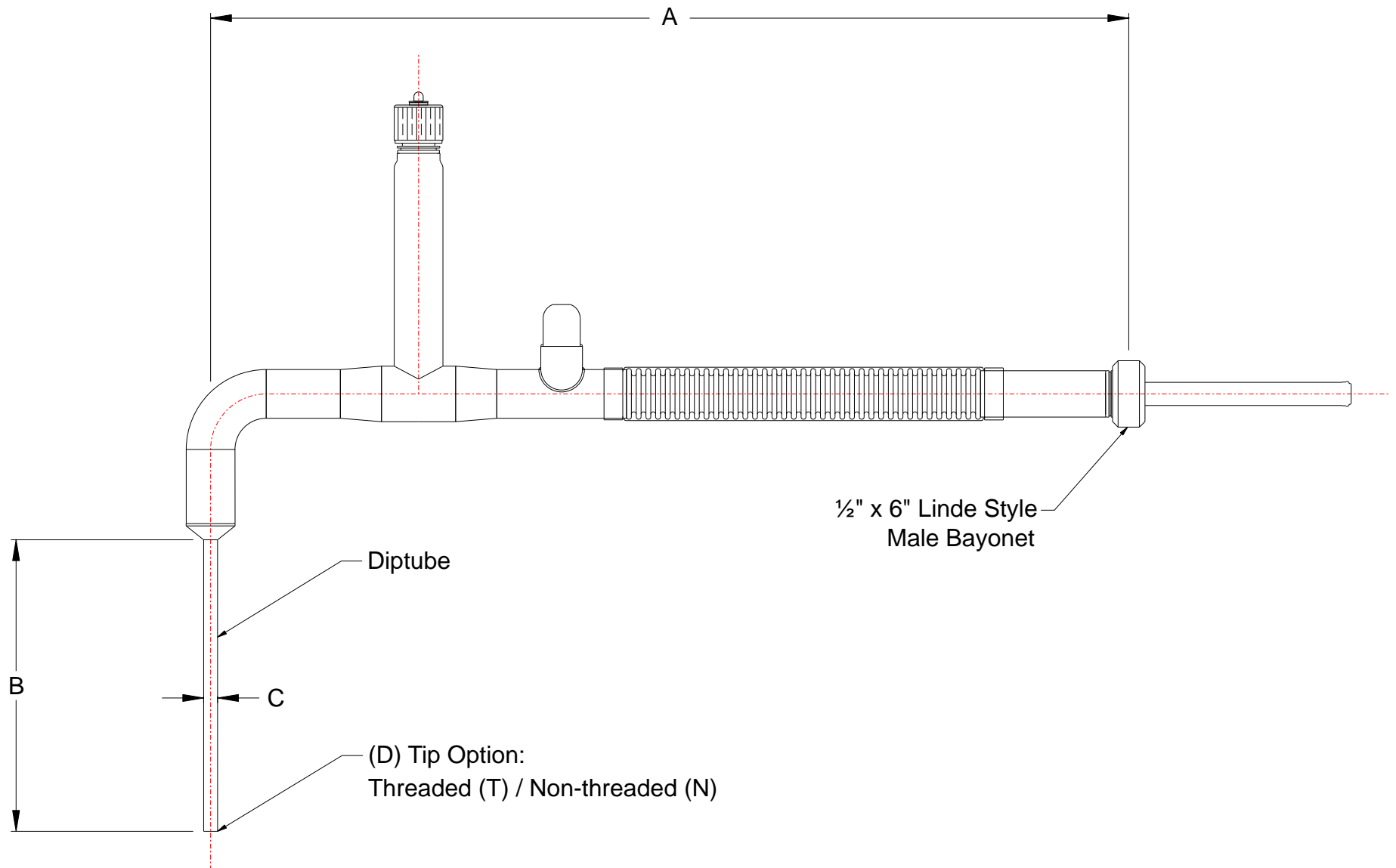
1/2" x 6" Linde Style Female Bayonet w/ Protective Cover



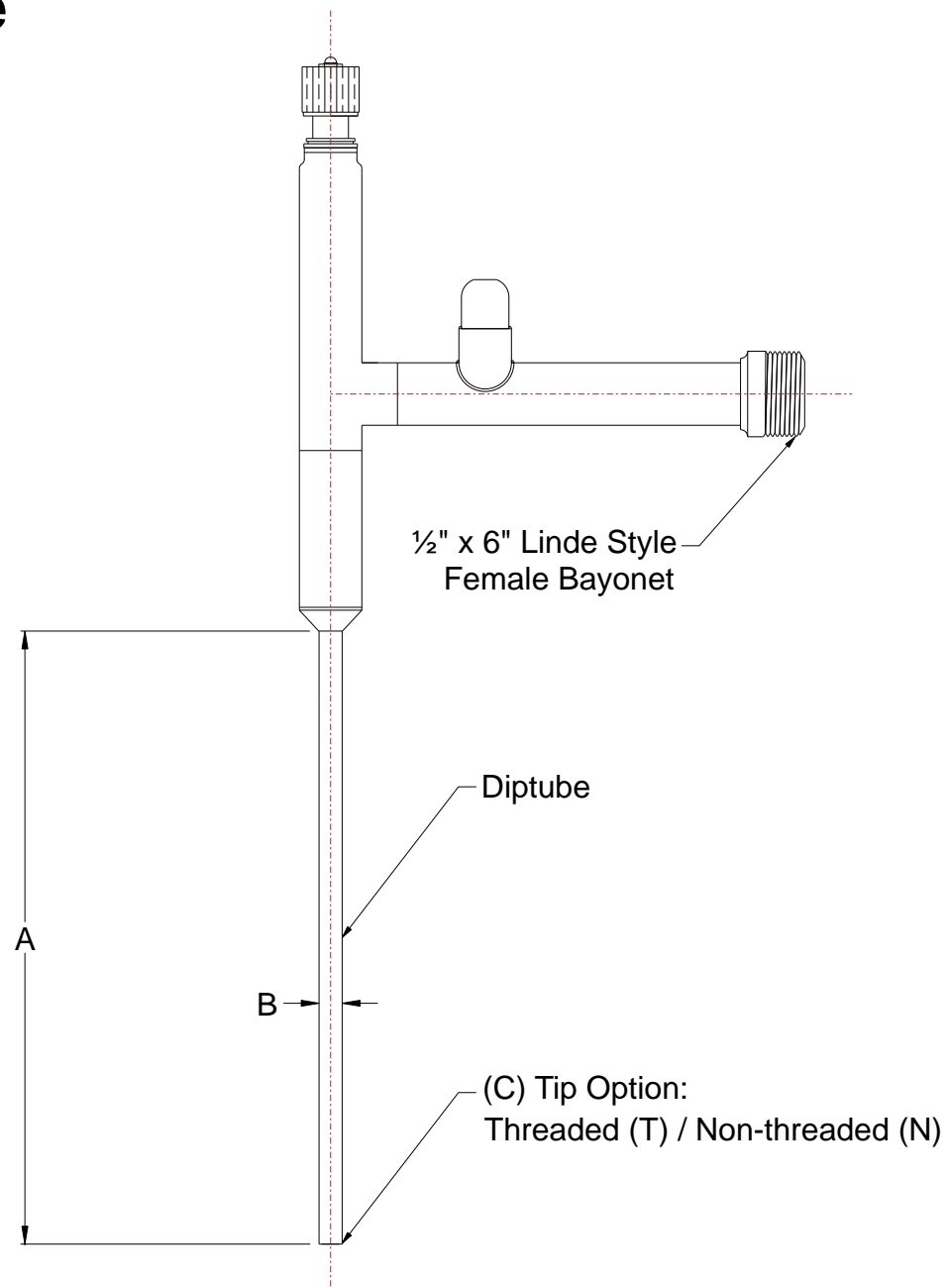
Withdrawal Hose (Plain)



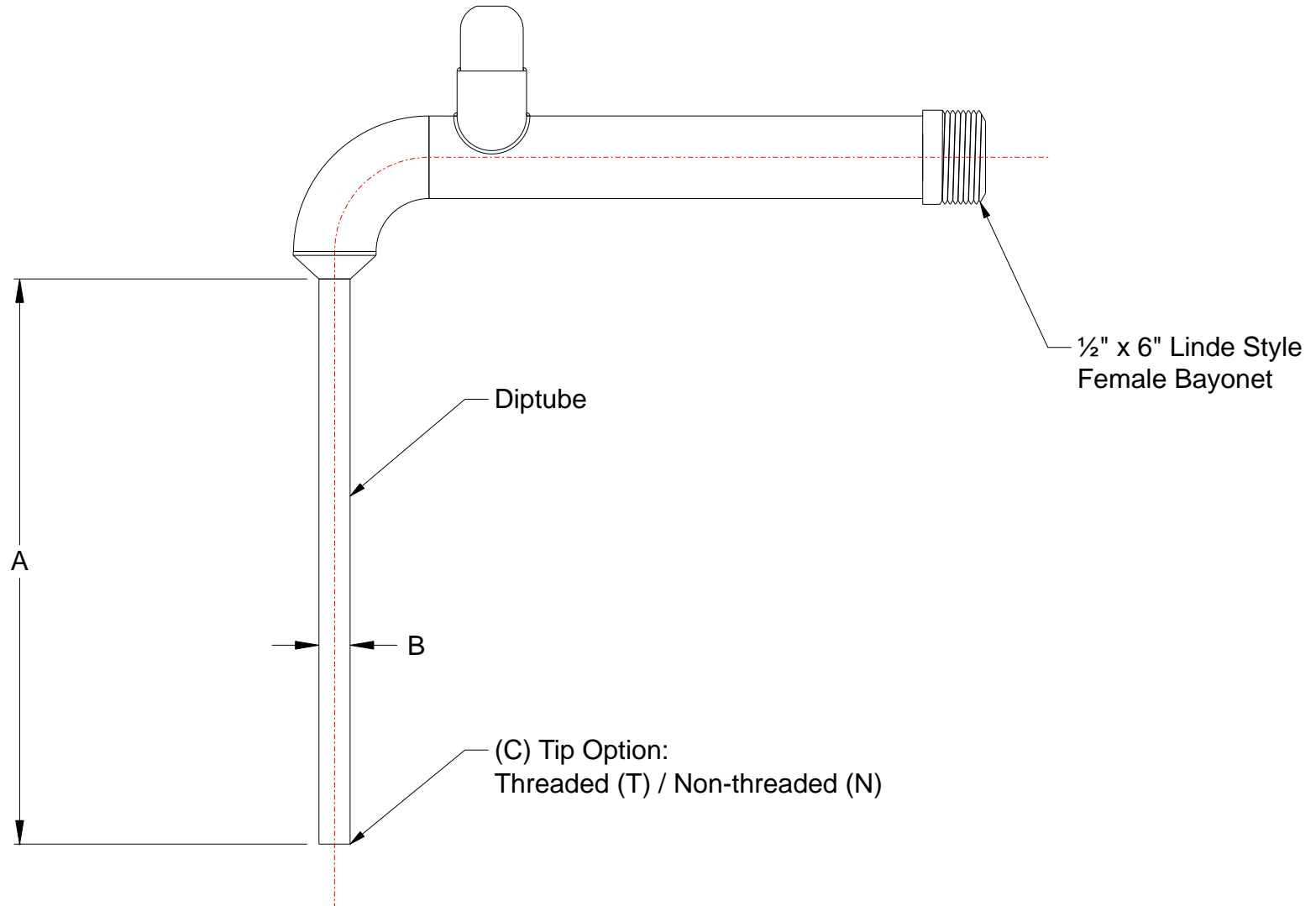
Withdrawal Hose (Valve)



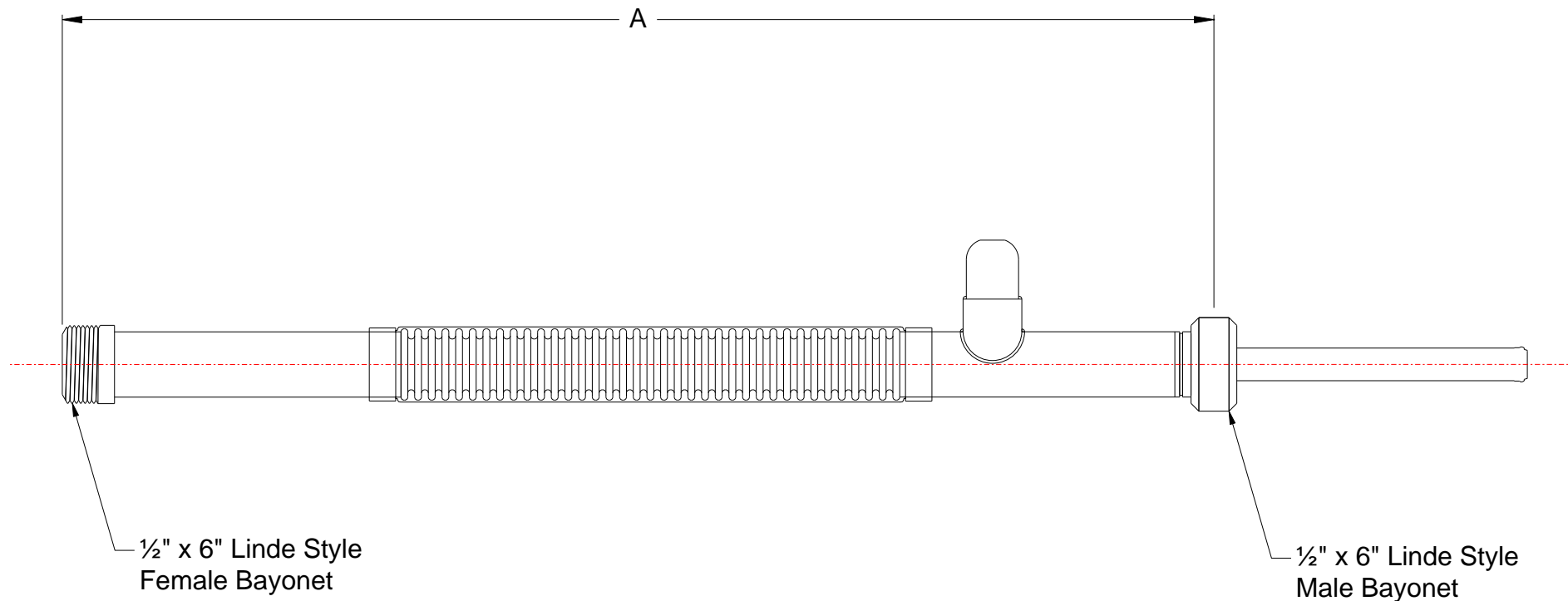
Withdrawal Lance



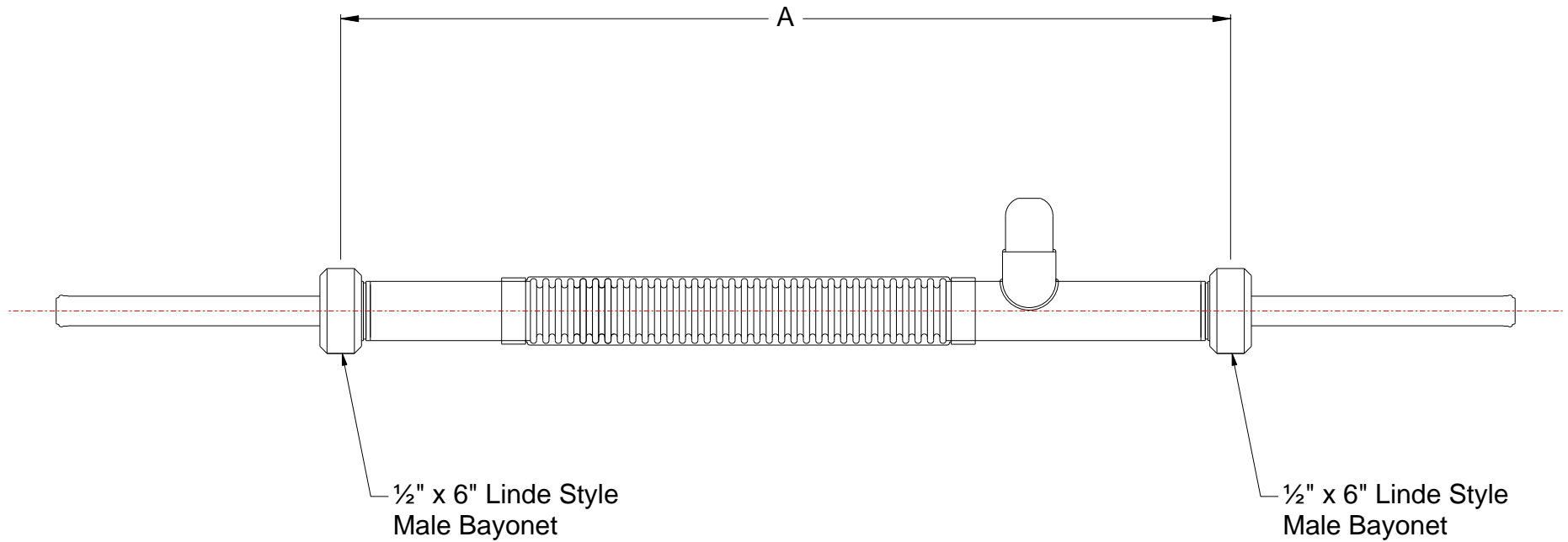
Fill Lance (Stinger)



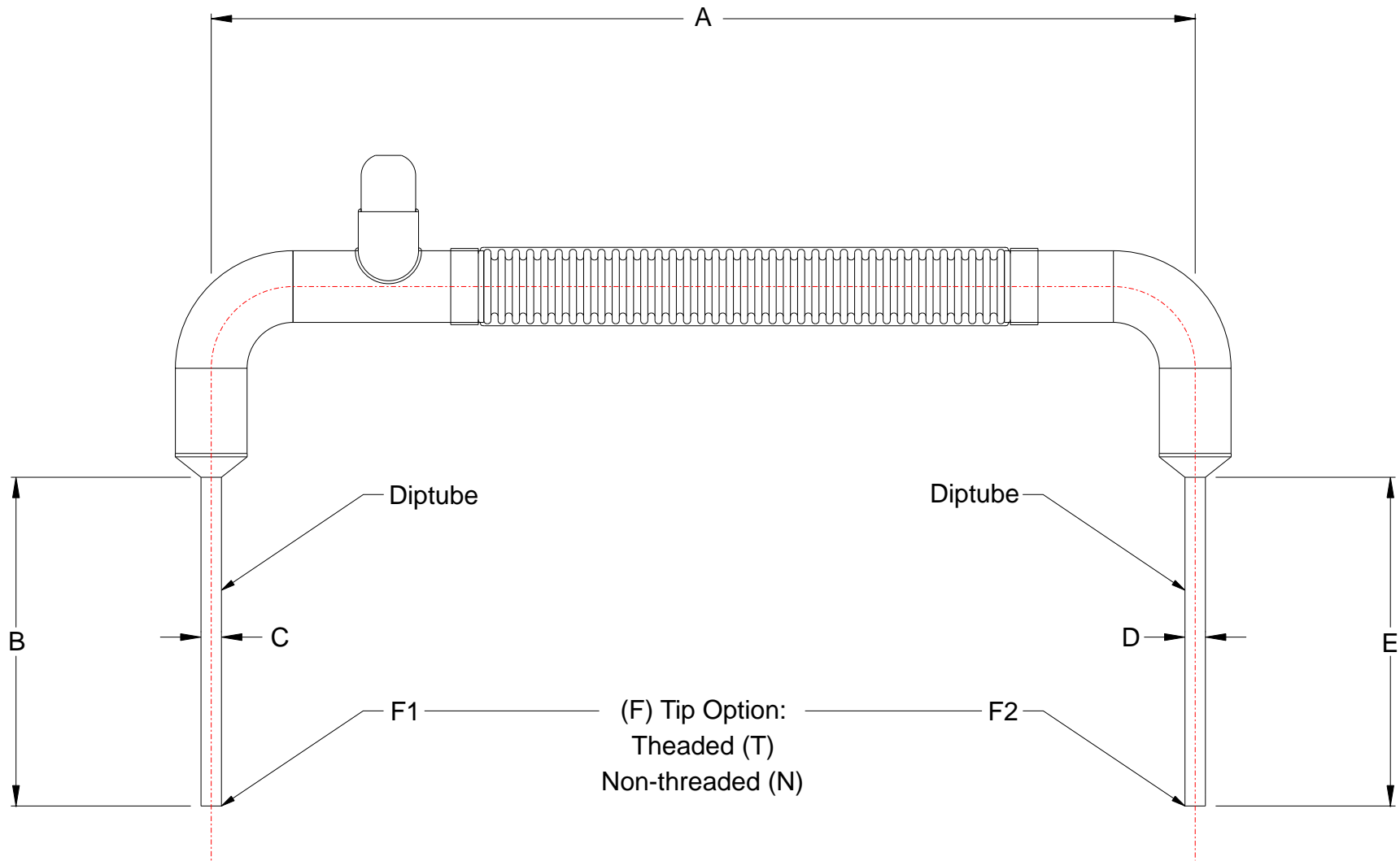
Extension Hose (F x M)



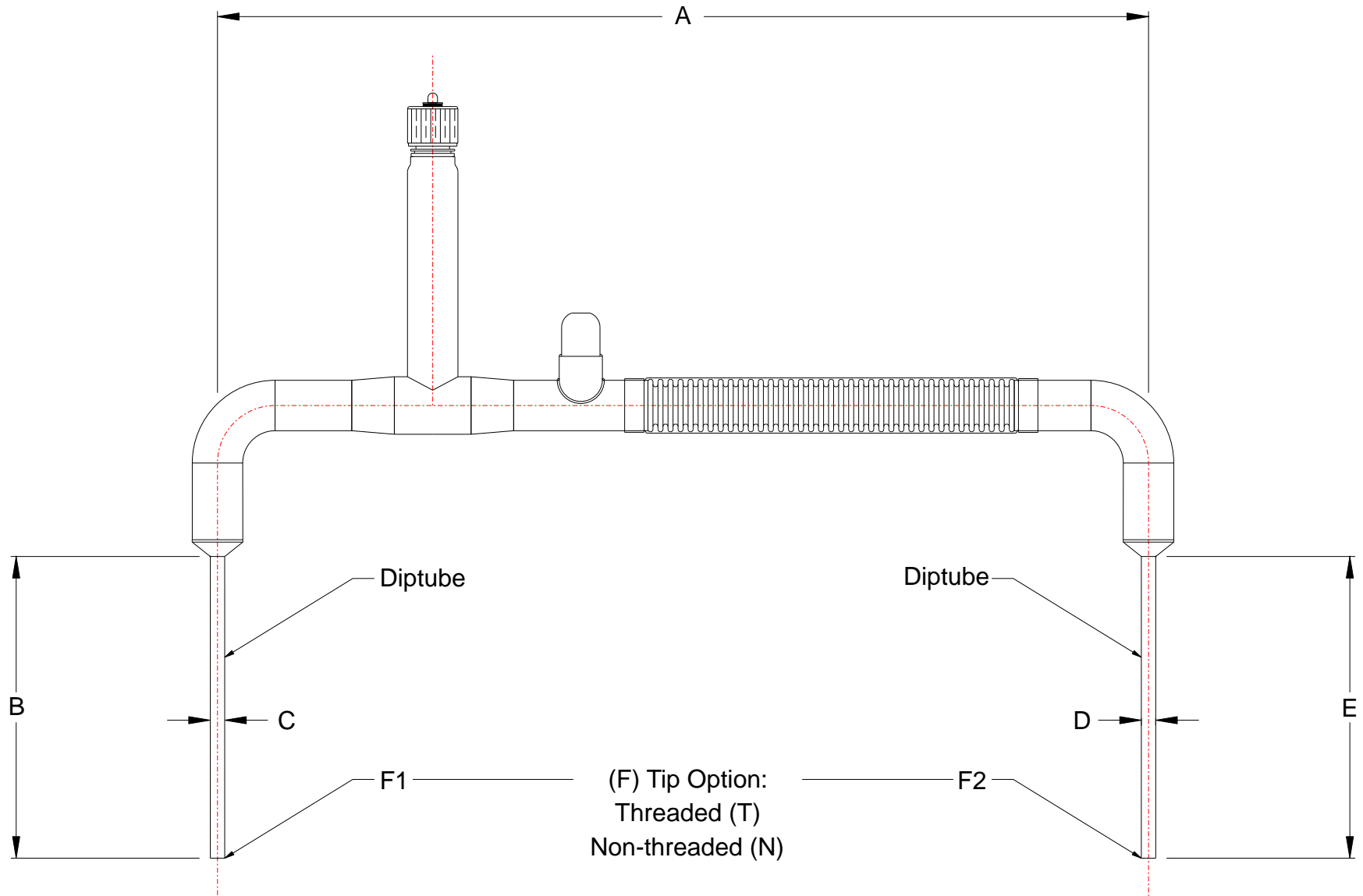
Extension Hose (M x M)



Flexible "U" Hose (Plain)



Flexible "U" Hose (Valve)



Diptube Extension

